

Features

- 36" minimum base cabinet width for under-mount or top-mount installation.
- Large/medium bowls.
- 9" depth.
- Includes one faucet hole on rear deck (three more faucet/accessory holes available for knockout).
- Includes cutout templates.
- Includes K-80047 large sink rack.
- K-80048 small sink rack also available (sold separately).

Material

- KOHLER® Neoroc® composite is durable and built to withstand day-to-day tasks.
- Matte finish offers rich, dimensional color.
- Solid color throughout the sink.
- Heat resistant up to 750°F.
- Scratch, stain, chip and thermal-shock resistant.

Installation

- Top-mount or under-mount.

Recommended Products/Accessories

K-8801 Sink Strainer
K-8799 Sink Strainer

Optional Products/Accessories

K-11352 Disposal Flange with Stopper
K-9000 P-Trap



Codes/Standards





CSA B45.5/IAPMO Z124

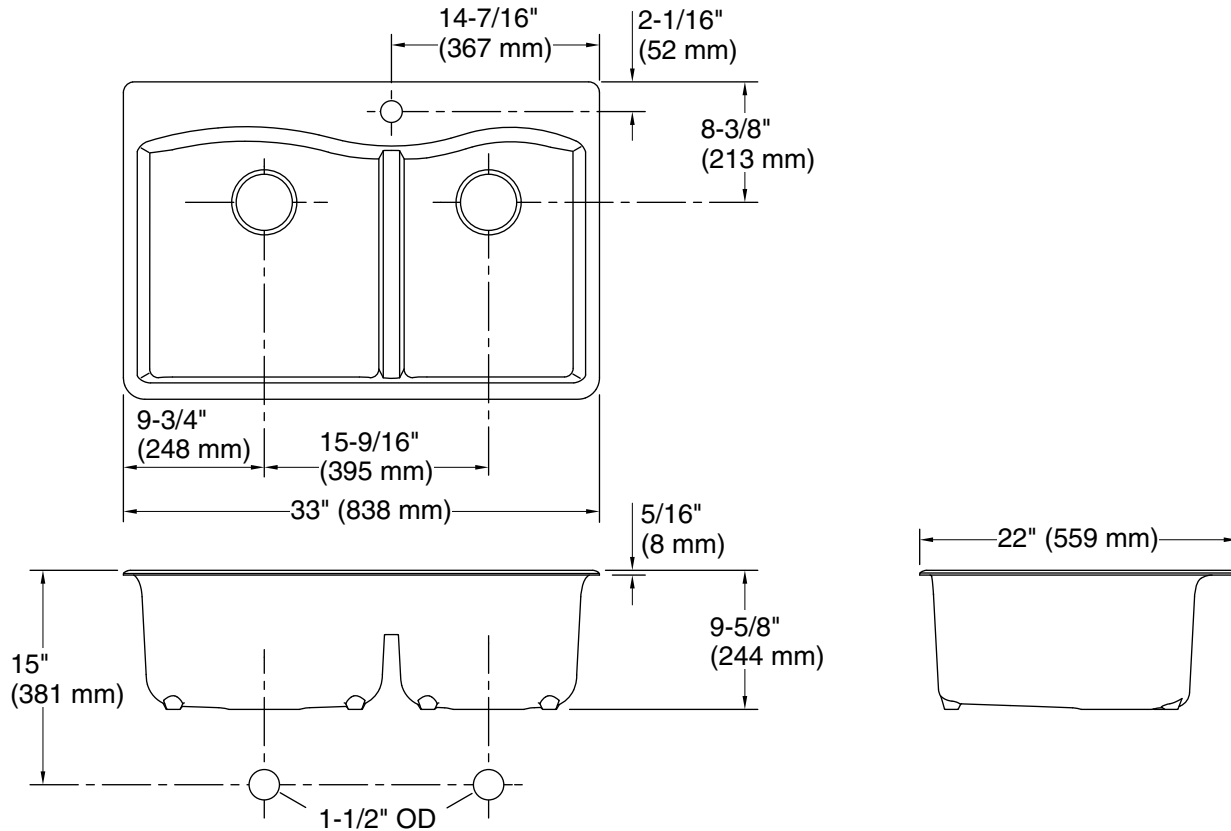
KOHLER® Neoroc® Sinks Lifetime Limited Warranty

See website for detailed warranty information.

Available Colors/Finishes

Color tiles intended for reference only.

Color	Code	Description
	CM7	Matte Graphite
	CM1	Matte Black
	CM2	Matte Brown
	CM3	Matte Toupe



Technical Information

All product dimensions are nominal.

Bowl configuration:	Off-set Large/small
Installation:	Under-mount, Top-mount
Min. base cabinet width:	36" (914 mm)
Bowl area (Left):	Length: 16-7/16" (417 mm) Width: 16-3/16" (411 mm) Bowl depth: 9" (229 mm) Water depth: 9" (229 mm)
Bowl area (Right):	Length: 16-7/16" (417 mm) Width: 12" (305 mm) Bowl depth: 9" (229 mm) Water depth: 9" (229 mm)
Number of deck holes:	1
Faucet hole spacing:	4" (102 mm)
Faucet hole(s):	1" (25 mm)
Drain hole:	3-7/8" (98 mm)
Template:	1354774-7, required, included

Notes

Install this product according to the installation instructions.

NOTICE: Countertop manufacturer or cutter must use the cut-out template provided with the product, or a current one provided by Kohler Co. (call 1-800-4-KOHLER). Kohler Co. is not responsible for cutout errors when the incorrect cut-out template is used.